

Random Orbital Sander

3in1 Vacuum Modes

Vacuum/Central Vacuum/Non Vacuum

Super low air consumption, low noise, vibration.

Durable low vibration lightweight and ergonomic design

Super light weight for minimum operator fatigue, suit for long-term operation.

Ergonomically Designed

Ergonomically designed grip absorbs vibration and reduces hand fatigue

Safety Throttle Lever

Hardened steel alloy cylinder

Longer cylinder life less maintenance

Vacuum Hose:

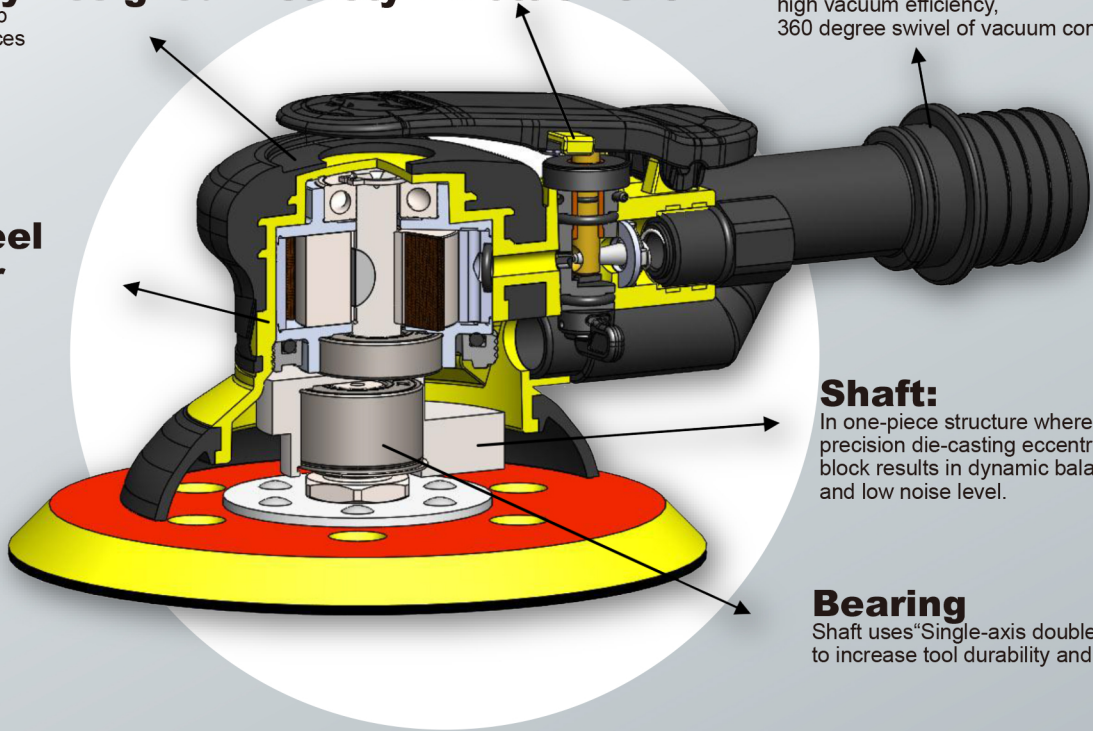
Design upon fluid analysis, high vacuum efficiency, 360 degree swivel of vacuum connector

Shaft:

In one-piece structure where precision die-casting eccentric block results in dynamic balance and low noise level.

Bearing

Shaft uses "Single-axis double-row beads" to increase tool durability and stability.



XT-2201-625

XT-2201-650

XT-2201-695



XT-2201-525

XT-2201-550

XT-2201-595



XT-2201-325

XT-2201-350

Item No	Max. Free Speed (RPM)	Pad Size (Inch)	Orbit Diameter (mm)	Air Inlet (NPT)	Hose Size ID Inch	Air Consumption CFM (L/Min)	Weight (KG)
XT-2201-325N	12,000	3	2.5	1/4"	3/8"	6	0.80
XT-2201-550N	12,000	5	5.0	1/4"	3/8"	6	1.00
XT-2201-695N	12,000	6	9.5	1/4"	3/8"	6	1.25